



Highlights

2 to 8 poles

Vertical pin strip

Spacing 5.0 mm

Closed ends

Reflow soldering

Automatic assembly (tape-on-reel)

THR

Pin length 2.6 mm

Pin length 3.5 mm also available

Wire Sizes

Solid min -

Solid max -

Stranded (flexible) min -

Stranded (flexible) max -

Stranded with ferrule min -

Stranded with ferrule max -

Dimensions

PCB hole diameter 1.4 mm

Materials

Contact pin Copper Alloy

Insulating Material

Material PPA

Flammability class UL 94 V-0

Temperatures

Operating temperature (without mech. load) -40 °C - 105 °C

Store temperature -40 °C - 105 °C

Wave Soldering Process

Soldering temperature, recommended 260 °C

Peak soldering time, recommended 3-4 s

**Technical Data // STL950/..G-5.0-V-P2.6-BK-HT**

Spacing 5.0 mm

Reflow Process

Soldering temperature, recommended 217 - 245 °C



Peak soldering time, recommended 60 s

Colours

BLACK, RAL 9011

Colours according to RAL, there may be variations on colour due to production conditions.

Ratings

UseGroup				
	B	C	D	
Rated voltage	300 V	150 V	300 V	250 V
Rated current	15 A	15 A	10 A	12 A
Overvoltage category				III
Test voltage	1.60 kV	1.30 kV	1.60 kV	4.0 kV
Pollution degree				3

Counterparts (Spacing 5.0 mm)

Terminal Block


AK950 AK955 AK1100 AK1110 AK1200 AK3950 AK4951

In combination of connectors with different admission data, the lower value is valid.

Tape on Reel

Number of Poles	Reel (RD/")	Width (R/mm)	Pitch (RP/mm)	Pieces (PCS)
2	13	32	20	140
3	13	32	20	140
4	13	56	20	140
5	13	56	20	140
6	13	56	20	140
7	13	56	20	140
8	13	56	20	140

Accessoires

Figure	Designation	Article Number
	Coding Star CS2-5.0/5.08-LIGHT GREY-HT	Order Data: 50000000028



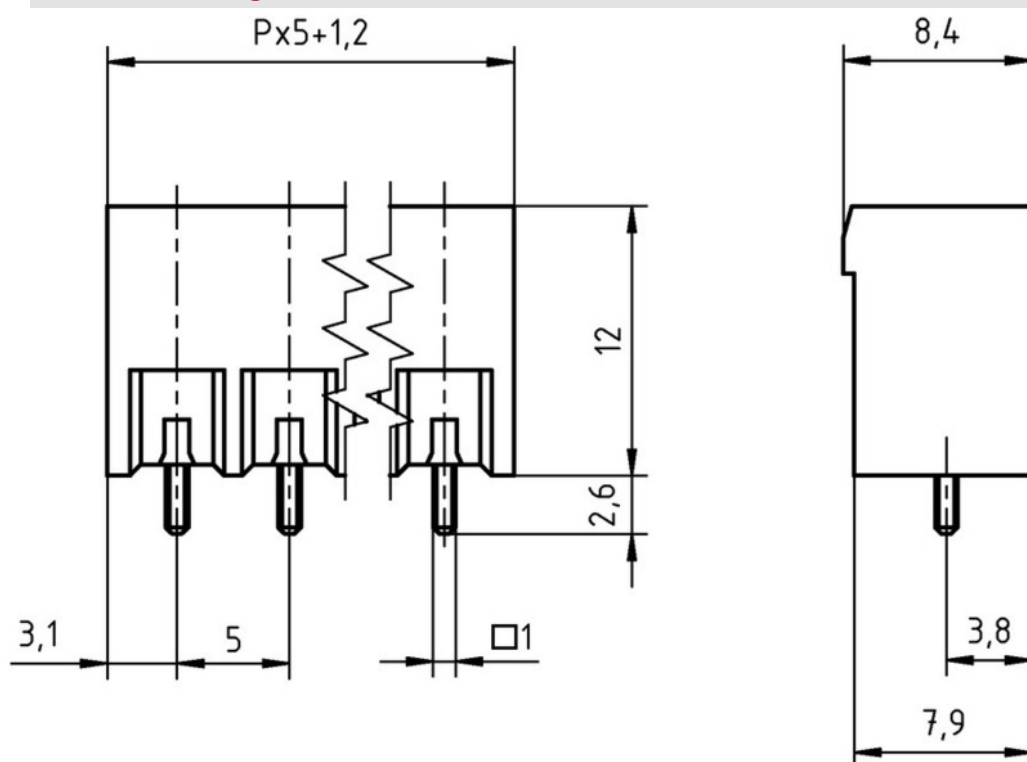
Technical Data // **STL950/..G-5.0-V-P2.6-BK-HT**

Spacing 5.0 mm

Order Data (Spacing 5.0 mm)

Number of Poles	Width (mm)	Article Designation	Article Number	PU
2	11.20	STL950/2G-5.0-V-P2.6-BK-HT	50950025387R	140
3	16.20	STL950/3G-5.0-V-P2.6-BK-HT	50950035387R	140
4	21.20	STL950/4G-5.0-V-P2.6-BK-HT	50950045387R	140
5	26.20	STL950/5G-5.0-V-P2.6-BK-HT	50950055387R	140
6	31.20	STL950/6G-5.0-V-P2.6-BK-HT	50950065387R	140
7	36.20	STL950/7G-5.0-V-P2.6-BK-HT	50950075387R	140
8	41.20	STL950/8G-5.0-V-P2.6-BK-HT	50950085387R	140

Technical drawing





Technical Data // **STL950/..G-5.0-V-P2.6-BK-HT**

