



Highlights

2 to 8 poles

Horizontal pin strip

Spacing 3.5 mm

With fixing flange

Reflow soldering

Automatic assembly (tape-on-reel)

THR

Pin length 2.6 mm

Pin length 1.4 mm | 3.5 mm also available

Wire Sizes

Solid min -

Solid max -

Stranded (flexible) min -

Stranded (flexible) max -

Stranded with ferrule min -

Stranded with ferrule max -

Dimensions

PCB hole diameter 1.2 mm

Materials

Thread insert, flange Brass

Contact pin Copper Alloy

Insulating Material

Material PA

Flammability class UL 94 V-0

Temperatures

Operating temperature (without mech. load) -40 °C - 105 °C

Store temperature -40 °C - 105 °C

**Technical Data // STL1550/..F-3.5-H-P2.6-BK-HT**

Spacing 3.5 mm

Wave Soldering Process

Soldering temperature, recommended 260 °C

Peak soldering time, recommended 3-4 s

Reflow Process

Soldering temperature, recommended 217 - 245 °C


Peak soldering time, recommended 60 s

Colours

BLACK, RAL 9011

Colours according to RAL, there may be variations on colour due to production conditions.

Ratings

UseGroup				
	B	C	D	
Rated voltage	300 V	-	300 V	160 V
Rated current	10 A	-	10 A	10 A
Overtoltage category				III
Test voltage	1.60 kV	-	1.60 kV	2.5 kV
Pollution degree				3

Counterparts (Spacing 3.5 mm)

Terminal Block

AK1550 AK1700 AK1710 AK4551 AK4561

In combination of connectors with different admission data, the lower value is valid.

Tape on Reel

Number of Poles	Reel (RD/")	Width (R/mm)	Pitch (RP/mm)	Pieces (PCS)
2	13	56	12	470
3	13	56	12	470
4	13	56	12	470
5	13	56	12	470
6	13	56	12	470
7	13	56	12	470
8	13	56	12	470

Accessoires

Figure	Designation	Article Number
	Coding Star CS1-3.5/3.81-NATURAL-HT	Order Data: 50000000022



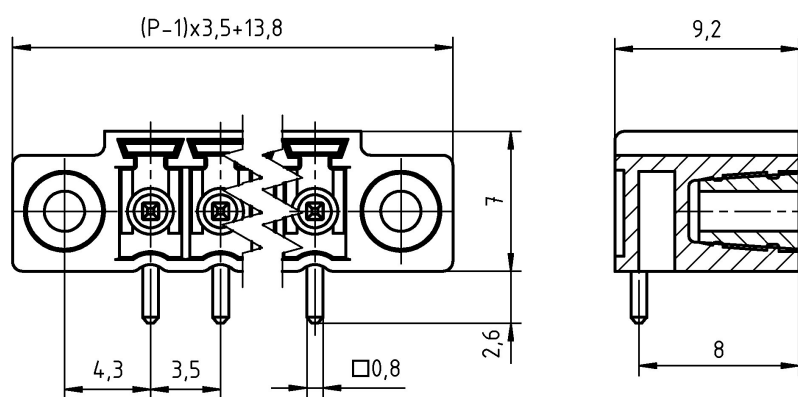
Technical Data // **STL1550/..F-3.5-H-P2.6-BK-HT**

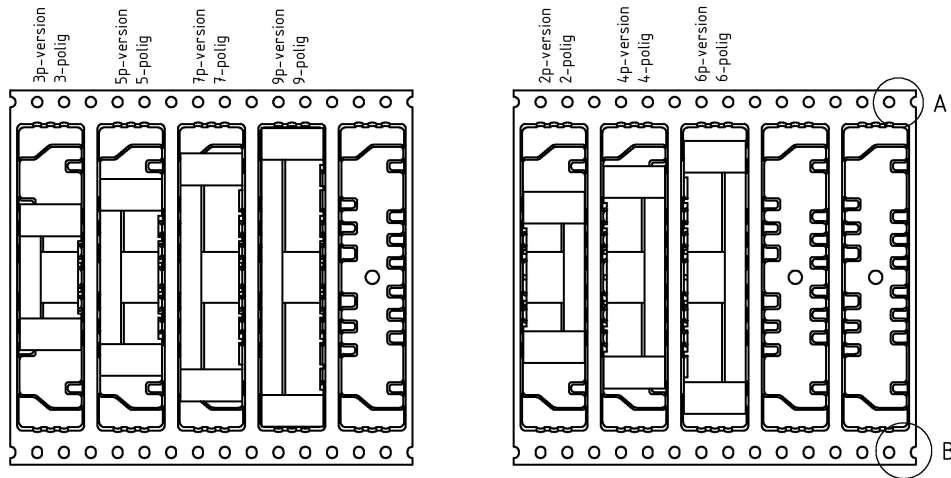
Spacing 3.5 mm

Order Data (Spacing 3.5 mm)

Number of Poles	Width (mm)	Article Designation	Article Number	PU
2	17.70	STL1550/2F-3.5-H-P2.6-BK-HT	51550026343R	470
3	21.20	STL1550/3F-3.5-H-P2.6-BK-HT	51550036343R	470
4	24.70	STL1550/4F-3.5-H-P2.6-BK-HT	51550046343R	470
5	28.20	STL1550/5F-3.5-H-P2.6-BK-HT	51550056343R	470
6	31.70	STL1550/6F-3.5-H-P2.6-BK-HT	51550066343R	470
7	35.20	STL1550/7F-3.5-H-P2.6-BK-HT	51550076343R	470
8	38.70	STL1550/8F-3.5-H-P2.6-BK-HT	51550086343R	470

Technical drawing





unreel direction
Abrollrichtung

