



### Highlights

2 to 12 poles

Spacing 5.08 mm

Lift type

Wire entry parallel to PCB

Pin length 3.5 mm

Reflow soldering

Automatic assembly (tape-on-reel)

THR

### Wire Sizes

Solid min	0.14 mm <sup>2</sup>
Solid max	2.5 mm <sup>2</sup>
Stranded (flexible) min	0.14 mm <sup>2</sup>
Stranded (flexible) max	1.5 mm <sup>2</sup>
Stranded with ferrule min	0.25 mm <sup>2</sup>
Stranded with ferrule max	1.5 mm <sup>2</sup>

### Dimensions

Stripped length	6.0 mm
PCB hole diameter	1.3 mm

### Materials

Clamp	Brass
Screw	Steel
Solder tab	Copper Alloy

### Insulating Material

Material	PPA
Flammability class	UL 94 V-0

### Temperatures

Operating temperature (without mech. load)	-40 °C - 105 °C
Store temperature	-40 °C - 105 °C

**Technical Data // AKZ350/..-5.08-V-P3.5-BK-HT**

Spacing 5.08 mm

**Wave Soldering Process**

Soldering temperature, recommended 265 °C

Peak soldering time, recommended 3-4 s

**Reflow Process**

Soldering temperature, recommended 217 - 245 °C

Peak soldering time, recommended 60 s

**Colours**

BLACK, RAL 9011

Colours according to RAL, there may be variations on colour due to production conditions.


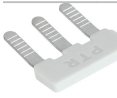

**Ratings**

UseGroup	UL <sup>®</sup> US			VDE	
	B	C	D		
Rated voltage	300 V	150 V	300 V	250 V	
Rated current	15 A	15 A	10 A	17.5 A	
Rated wire size				min	max
- solid	AWG 22-12	AWG 22-12	AWG 22-12	0.5 mm <sup>2</sup>	2.5 mm <sup>2</sup>
- stranded	AWG 22-12	AWG 22-12	AWG 22-12	0.5 mm <sup>2</sup>	1.5 mm <sup>2</sup>
Torque	0.50 Nm	0.50 Nm	0.50 Nm	0.50 Nm	
Screw size	M3	M3	M3	M3	
Test voltage	1.60 kV	1.30 kV	1.60 kV	2.0 kV	

**Tape on Reel**

Number of Poles	Reel (RD/")	Width (R/mm)	Pitch (RP/mm)	Pieces (PCS)
2	13	32	16	205
3	13	32	16	205

**Accessoires**

Figure	Designation	Article Number
	Bridge, 2-pole, insulated, BRI/2-5.0/5.08-LIGHT GREY	Order Data: 50000000006
	Bridge, 3-pole, insulated, BRI/3-5.0/5.08-LIGHT GREY	Order Data: 50000000007
	Bridge, 2-pole, BR/2-5.0/5.08-L7.0	Order Data: 50000000008

The insulated bridges have to be mounted after the reflow soldering process.



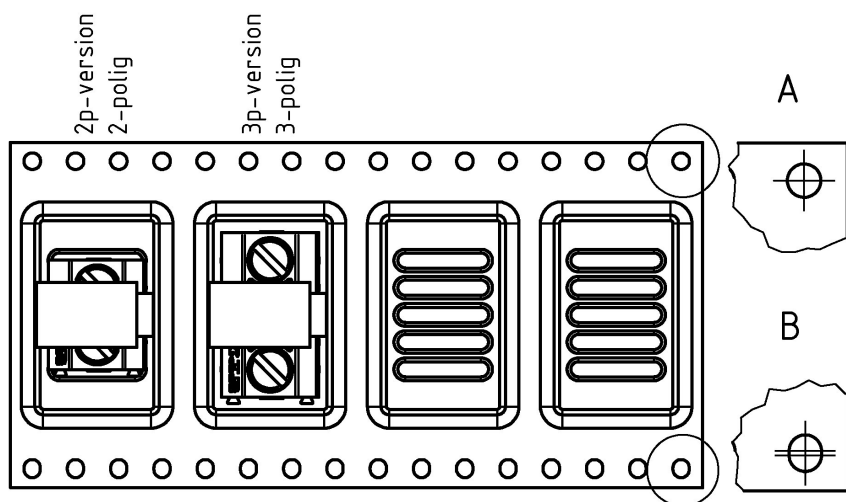
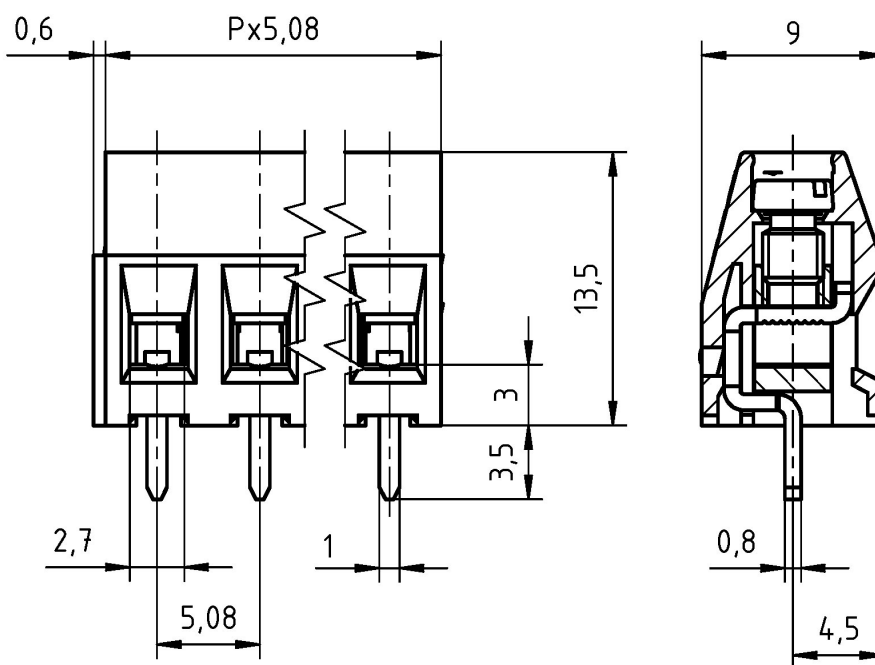
Technical Data // **AKZ350/..-5.08-V-P3.5-BK-HT**

Spacing 5.08 mm

Order Data (Spacing 5.08 mm)

Number of Poles	Width (mm)	Article Designation	Article Number	PU
2	10.76	AKZ350/2-5.08-V-P3.5-BK-HT	50350020331R	205
3	15.84	AKZ350/3-5.08-V-P3.5-BK-HT	50350030331R	205

Technical drawing



unreel direction  
Abrollrichtung

