

26-48.



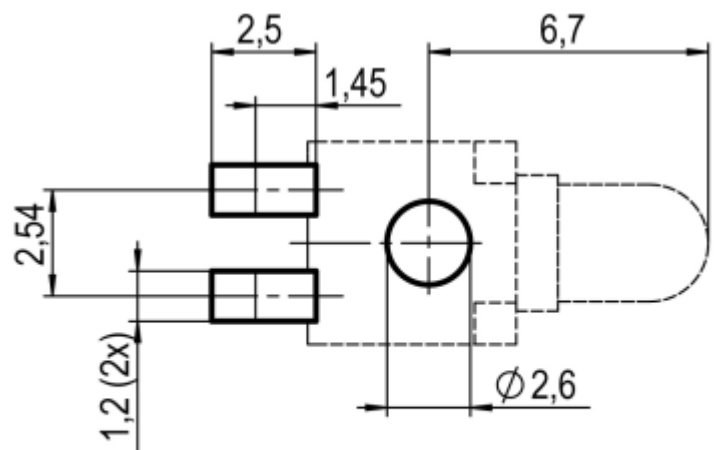
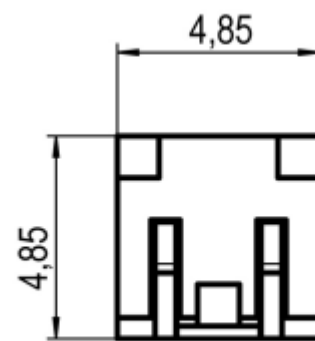
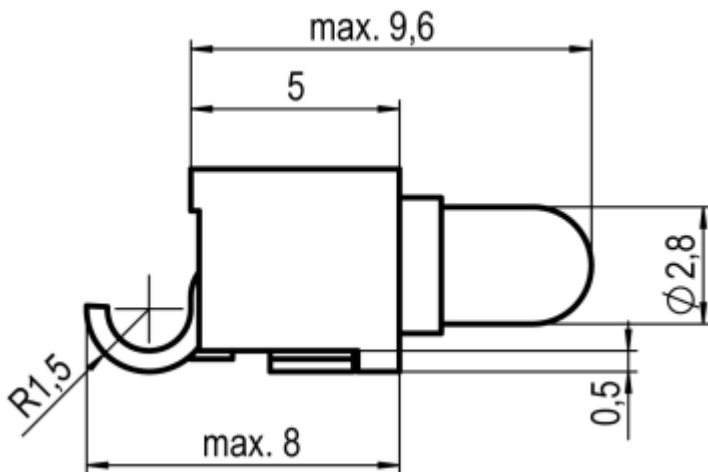
PTR HARTMANN

A Phoenix Mecano Company



- \varnothing 3.0 mm LED
- Smallest dimensions
- 90° and 180° design

LED-element with very small required space on PCB. This component is available in horizontal and vertical design. For additional mechanical fixation there is a solderable fixation point for horizontal design and a plastic fixation peg for vertical versions.



Mechanical Data**Material**

LED diameter	3.0 mm
Fixation mode	SMT
Pitch of soldering pads	2.54 mm
Serial pitch	5.08 mm
Coplanarity of the solder pins	≤ 0.1 mm
Operating temperature	see technical information - LED-Quality
Soldering heat-proof	IR acc. CECC 00802, class C
Reflow soldering	JDEC J-STD-020 E
Packing	Tape on Reel
Packing unit	1250 pcs. per reel

Mechanical Data**Material**

Housing	PCT GF
---------	--------