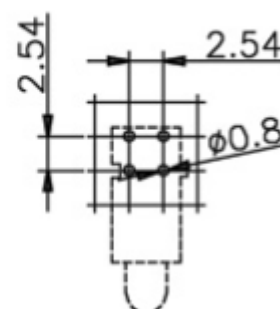
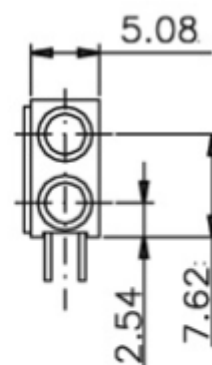
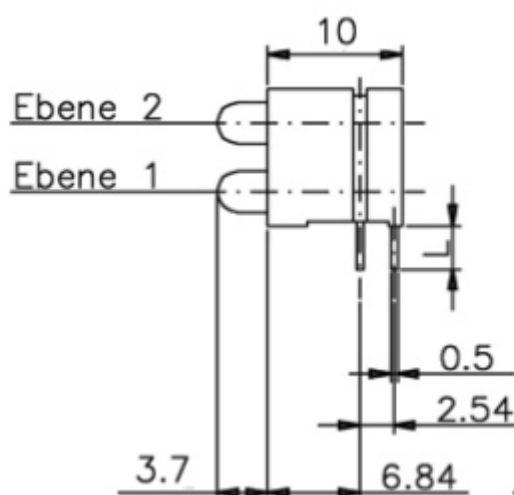
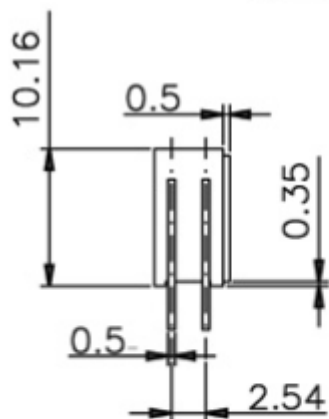
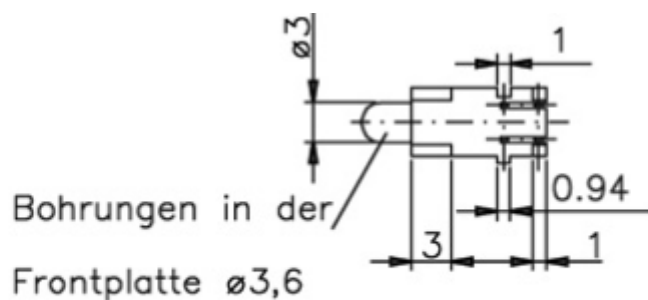




- ø 3.0 mm LED
- Multiple block configurations available
- Special versions on request

LED-element with two integrated ø3mm LEDs. This component has a tongue and groove system which interlocks when lining-up with neighbouring components and so achieves stability on the PCB. The identical type 26-13 without tongue, is a balancing element between the line-up system and other components. The LED-Element is a front-panel-component acc. DIN 41494 for 19" racks in industrial electronics.



Mechanical Data**Material**

LED diameter 3.0 mm

Fixation mode THT

Pitch of solderpins 2.54 mm

Serial pitch 5.08 mm

Resistance against cleaning fluids yes

Operating temperature [see technical information - LED-Quality](#)

Mechanical Data**Material**

Housing PA6.6 GF25 UL94-V0