



PTR HARTMANN

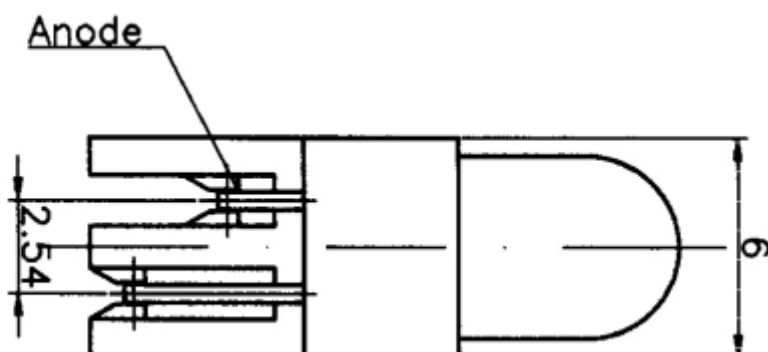
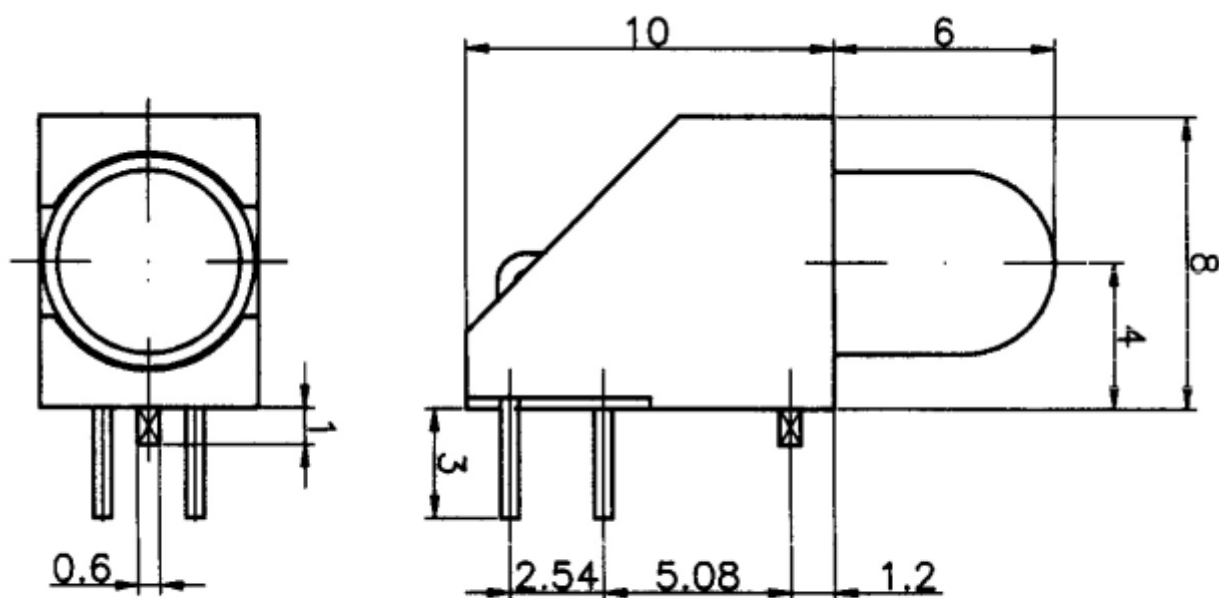
A Phoenix Mecano Company

06-20.



- \varnothing 5.0 mm LED
- Optional with metal fixation peg

This LED-Element includes a \varnothing 5mm LED with an axis height of 4mm. If requested, the component can be provided with a metal fixation peg, which can be soldered to the PCB.



Mechanical Data

LED diameter	5.0 mm
Fixation mode	THT
Pitch of solderpins	2.54 mm
Serial pitch	6.0 mm
Resistance against cleaning fluids	yes
Operating temperature	see technical information - LED-Quality